

Self-Retracting Boarding Steps for Boats



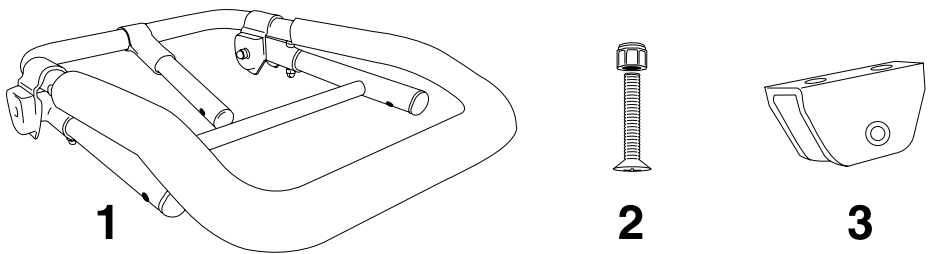
AQUA
Performance

◆ WARNING ◆

Do not use the “Aqua Step” when boat is turned on or in motion. As serious injury may occur. **Do not** use the step to pull anyone or anything. Serious hull damage may occur. The “Aqua Step” is intended for boarding your boat in the water only. “Aqua Performance” will not be responsible for damage or injury due to improper use or installation of step.

U.S. & Canada Patent #5,152,244 - #5,458,080 - #5,927,433 - #5,970,905 - #6,021,733

***READ ALL OF THESE INSTRUCTIONS THOROUGHLY BEFORE BEGINNING THE INSTALLATION OF THE BOARDING STEP. MAKE SURE YOU HAVE ALL PARTS & TOOLS TOGETHER BEFORE BEGINNING!**

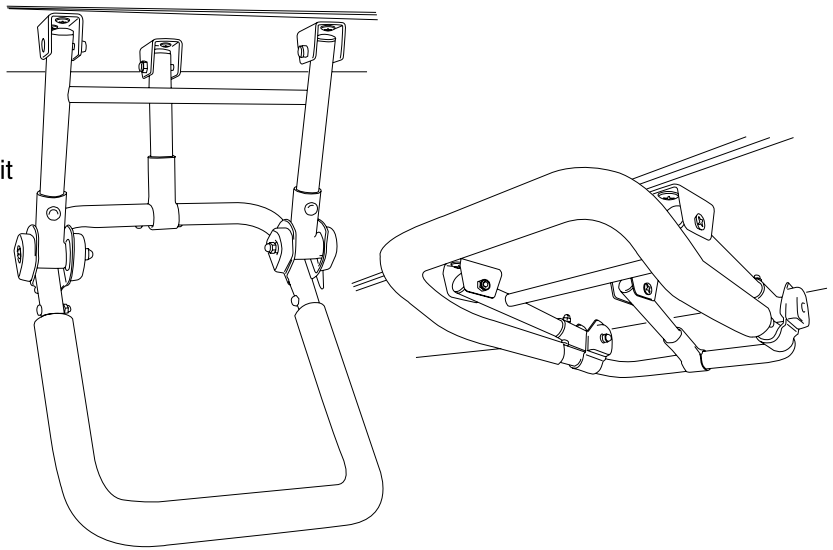


- 1: AQUA STEP (1)
- 2: COUNTER SUNK BOLT (3) W/Lock Nut (3)
(To be used for Channel Brackets)
- 3: CHANNEL BRACKET (3)

INSTALLATION HARDWARE AVAILABLE:
 Carriage Bolts w/Lock Nuts
 Phil Pan Machine Screws w/Lock Nuts
 Reinforcement Plate and/or AVK Inserts

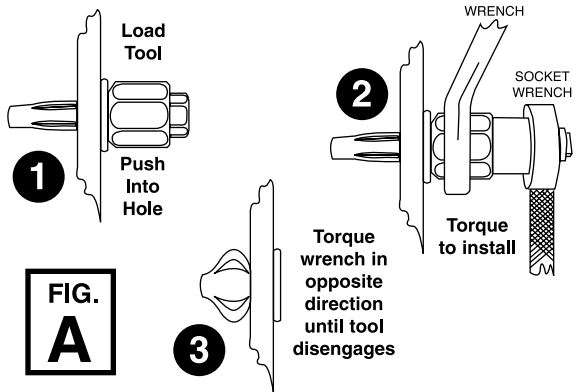
TOOLS NEEDED:

- Electric drill with a 3/16” drill bit
- Pencil or Washable Marker
- Tape Measure
- Phillips Screwdriver
- You’ll also need a tube of marine silicone.
- If your kit comes with AVK inserts, you will need a 25/64” drill bit (no substitutions), a wrench and a socket wrench.



IF YOUR KIT COMES WITH AVK INSERTS:

- 1) Verify that the spots you marked to be drilled are exactly the spots you want to drill. Using a 25/64” drill bit (no substitutions), drill holes.
- 2) Insert all 6 aluminum AVK inserts into drilled holes. Load tool and push into hole. Using your wrench, hold tool in place to prevent turning.
- 3) Now torque down the hex screw with the socket wrench clockwise. Once finished, remove installation tool by torquing counter clockwise. Do this same operation for all six holes. **SEE FIG. E.**



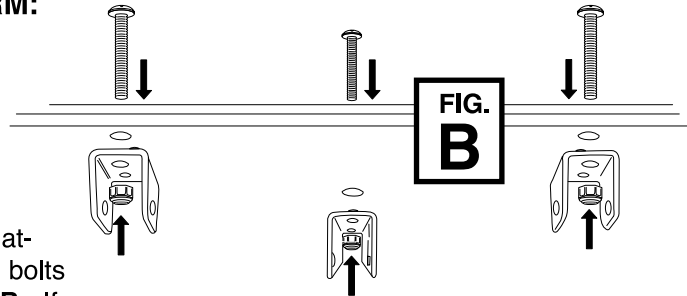
MAINTENANCE

To ensure the best operation of your aqua step, Aqua Performance recommends that you hose off your step after every use, as you would the rest of your watercraft. To remove sand build up: You will need to remove the side caps and use a hose to spray water inside the spring mechanism while moving the step up and down. When finished rinsing, we recommend and use Prolong Oil as a lubricant onto the spring. Replace caps and bolts to ensure a proper fit.

METHOD OF INSTALLATION IF YOUR BOAT HAS . . .

ADD-ON SWIM STEP OR TEAK PLATFORM:

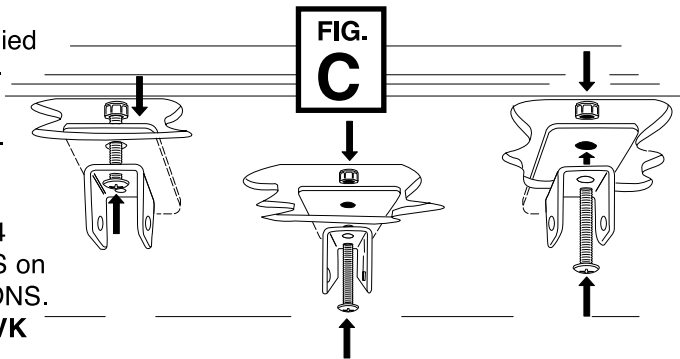
Through bolt from the top of platform.
Drill size needed 3/16"



INTEGRATED SWIM STEP PLATFORM:

1) If your swim step thickness is a solid 1 1/2" in thickness - through bolt from the top of your platform down into the bracket using a 2" carriage bolts w/lock nut. Drill size needed 3/16". **SEE FIG. B.** If platform thickness varies you may need to supply your own hardware.

2) If you are able to get between (inside) your platform use the reinforcement plates supplied on the inside and through bolt from the outside going in - using Phil Pan w/nut supplied. **SEE FIG. C.** Drill size needed 3/16".



3) If you are unable to get between your platform use AVK inserts. You will need a 25/64 size drill bit for holes. NO SUBSTITUTIONS on drill size. Follow special AVK INSTRUCTIONS. **SEE FIG. A ON PREVIOUS PAGE FOR AVK INSTRUCTIONS.**

STEP #1

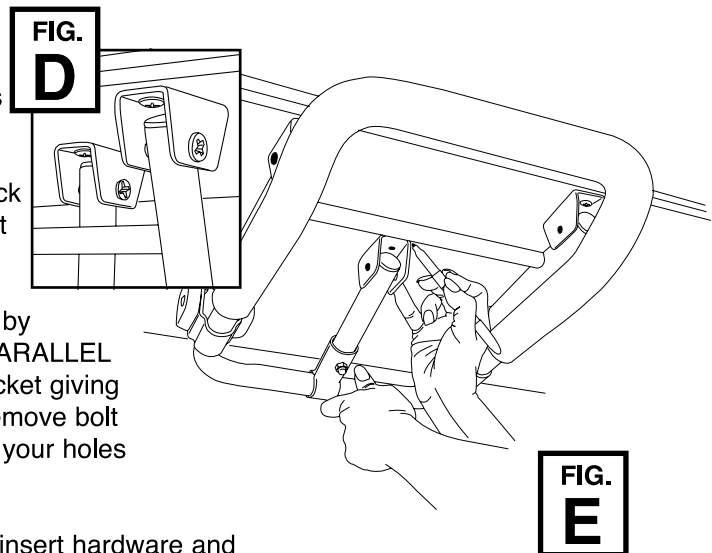
Insert the 2 front tube extensions inside the channel brackets and insert counter sunk bolt through channel bracket and tube to hold in place. **DO NOT** attach lock nuts yet (this will ease installation of third tube). Next, position step to the very front of your platform.

Location is very important, it must be all the way to the front of the platform.

Trace the 2 channel brackets giving yourself a guideline where to position. Next, remove bolt and place channel brackets over outline. Mark your holes and drill. Line up channel brackets over holes drilled. Add marine silicone to threads of hardware specified for your particular application and tighten. If you need AVK inserts **SEE FIG. A ON PREVIOUS PAGE.**

STEP #2

Once more, line up the 2 front tube extensions inside the channel brackets and insert the counter-sunk bolt through bracket and tube to hold in place, **SEE FIG. D.** **DO NOT** attach lock nuts yet. With the 2 front tubes in place - insert counter sunk bolt through 3rd channel bracket and tube but, again do not attach lock nuts. Locate the position of the 3rd channel bracket by **RETRACTING** your step **ALL THE WAY UP, PARALLEL** to the platform surface. Trace the channel bracket giving yourself a guideline where to position. Next, remove bolt and place channel bracket over outline - mark your holes and drill. **SEE FIG. E.**



Place the channel bracket into position again, insert hardware and add marine silicone to threads and tighten. Once more place third tube in channel bracket insert counter-sunk bolt and tighten with lock nut. Now, go back and attach the outer 2 lock nuts on your front brackets and tighten.

MORE QUALITY PRODUCTS FROM

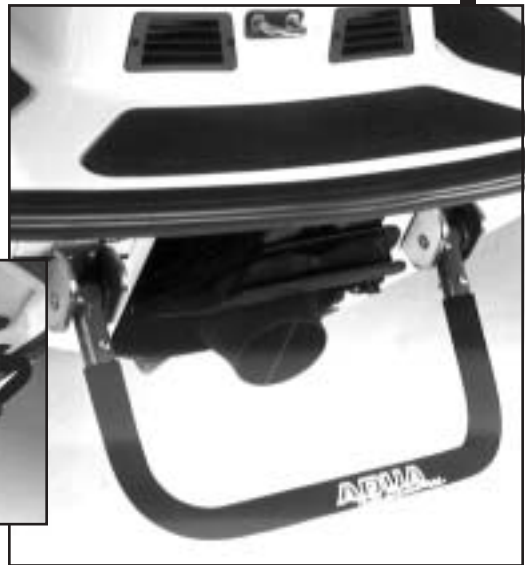
AQUA
Performance

steps for watercraft



The Aqua Performance watercraft step is designed to fit all Personal Watercraft sit-down models.

The spring-loaded stainless steel step stays in the upward position until needed for added safety benefits. The step features a soft marine foam covering for your non-slip protection and grip. It comes completely assembled with all stainless steel hardware.



AQUA
Performance

425 N. Smith Ave.
P.O. Box 370
Corona, CA 91720
951-340-9425

FAX 951-340-2056 •

www.aquaperformance.com